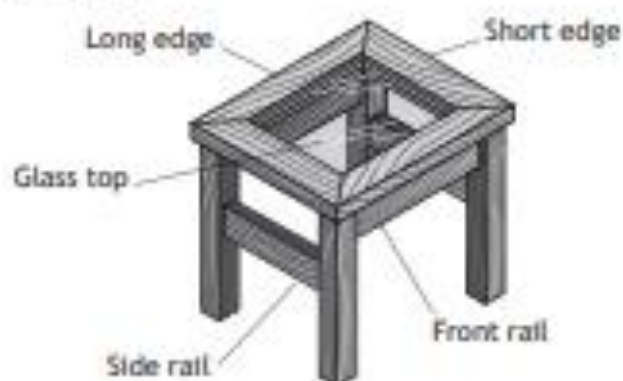
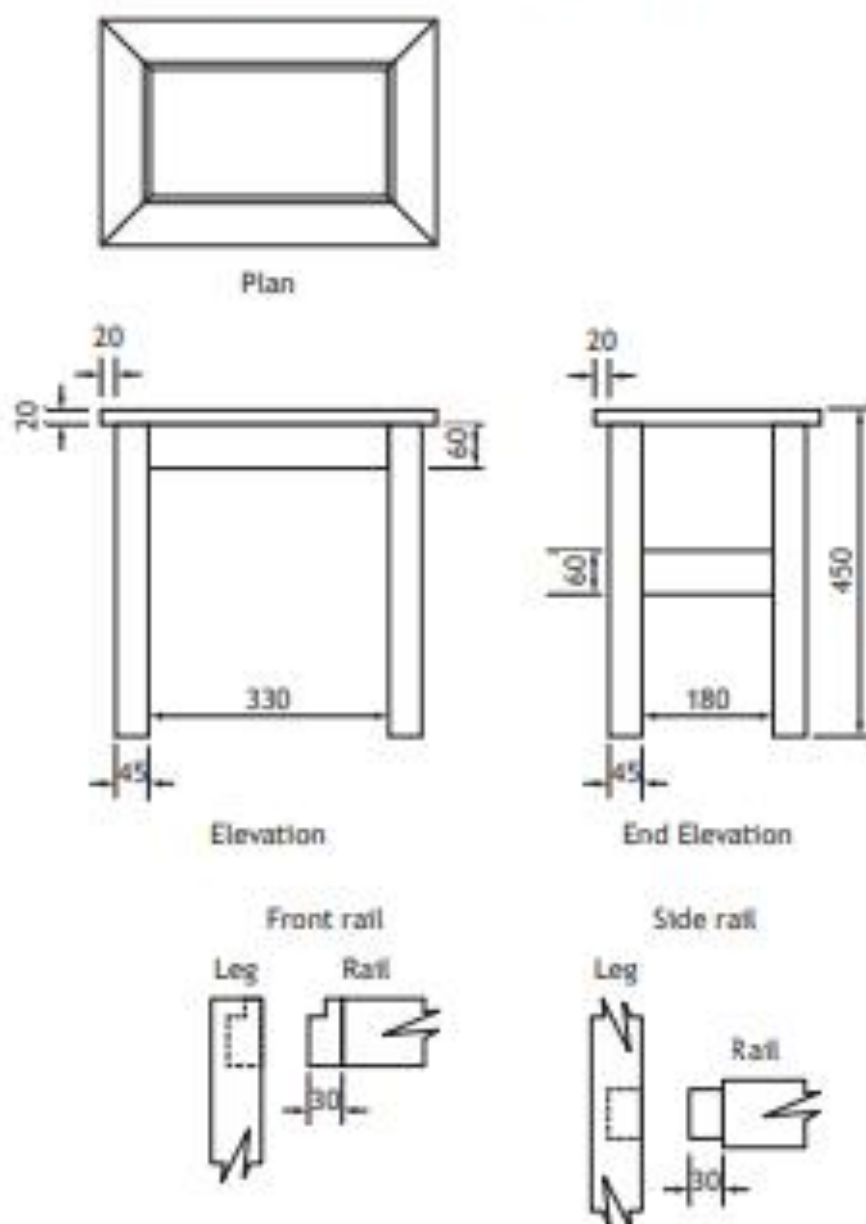


2. A table is shown below.



The diagram below shows the working drawings for the table.



Note: The rails are joined to the legs using the joints shown in the drawings above. All sizes are in millimetres.

- (a) Complete the cutting list below, using the information provided in the working drawings shown opposite.

Part	Number	Length	Breadth	Thickness
Table top long edge	2		50	
Table top short edge	2		50	
Front Rails	2			18
Side Rails	2			18
Legs	4			

